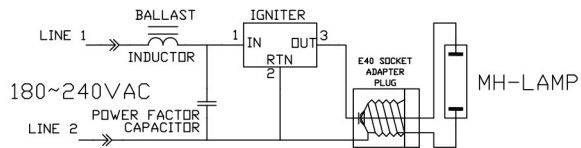


LED Retrofit System for Metal Halide Fixtures



www.AxiomLED.com | +1.626.444.1282

TYPICAL MH-LAMP CONNECTION DIAGRAM

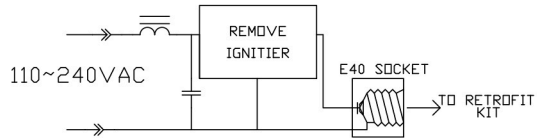


METAL HALIDE LAMP

LED RETOFIT KIT POSSIBLE CONNECTION DIAGRAMS

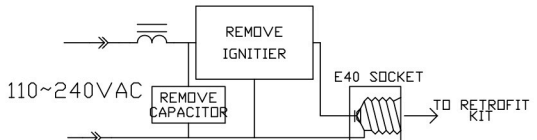
PLEASE NOTE: THE IGNITER NEEDS TO BE REMOVED FOR ALL THREE DIAGRAMS BELOW. KEEPING THE IGNITER IN THE CIRCUIT WITH THE RETOFIT KIT IS NOT RECOMMENDED.

DIAGRAM 1 ALWAYS REMOVE THE IGNITER



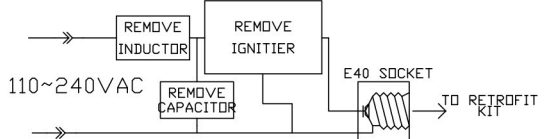
- OR -

DIAGRAM 2 REMOVE IGNITER AND POWER FACTOR CAPACITOR

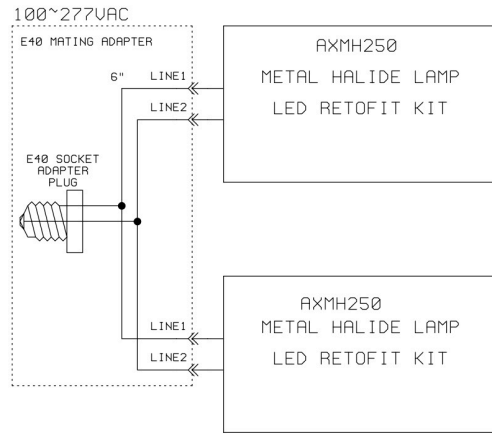


- OR -

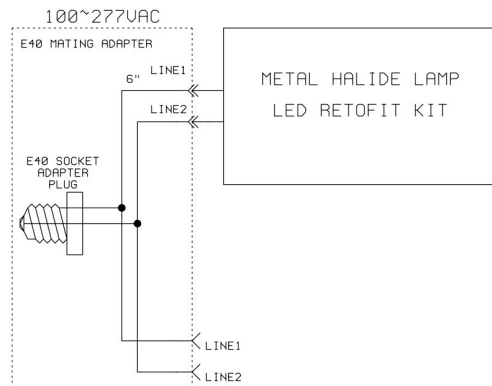
DIAGRAM 3 REMOVE IGNITER, POWER FACTOR CAPACITOR AND INDUCTOR



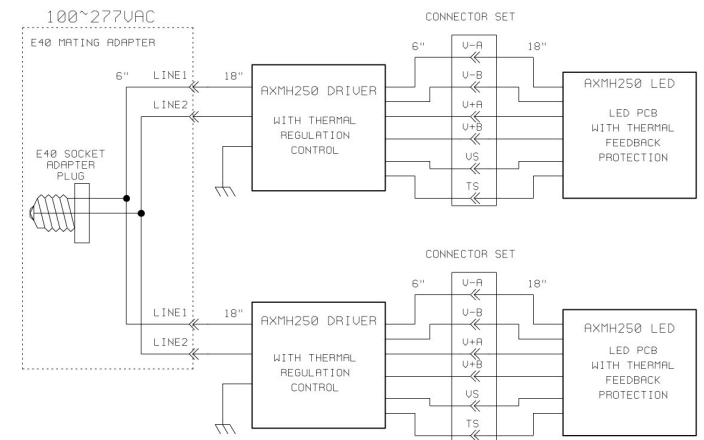
DUAL KIT RETOFIT SYSTEM BLOCK DIAGRAM



SINGLE KIT RETOFIT SYSTEM BLOCK DIAGRAM



DUAL KIT RETOFIT SYSTEM CONNECTION DIAGRAM



SINGLE KIT RETOFIT SYSTEM CONNECTION DIAGRAM

